

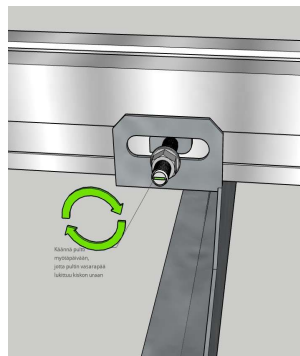
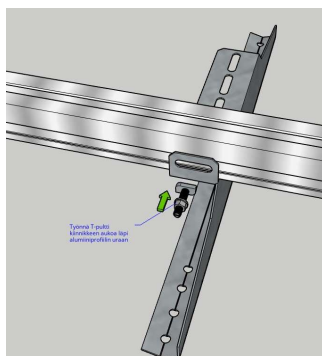
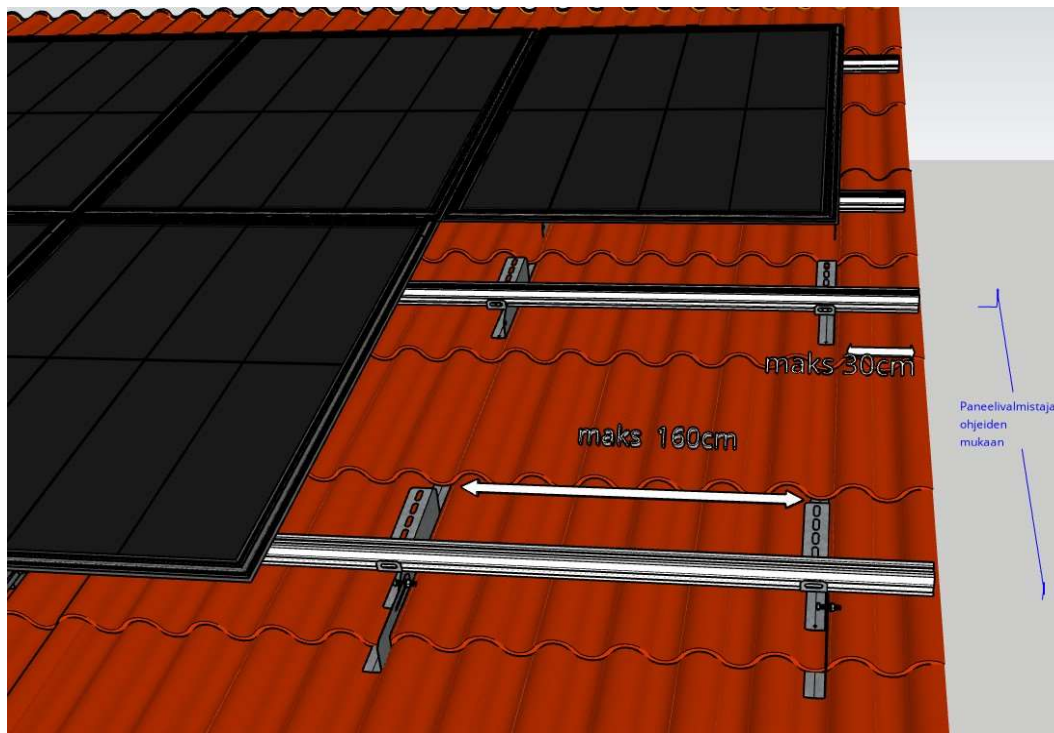
NORDIC SLOPE fixture system for nordic roofs

Installation instructions

- Recommended installation spot on the roof is close to the roof ridge, this will minimize the risk of snow pile-up on the panels. Upper edge of the panels should be installed below the roof ridge level.
- Panels should be installed as close to the middle of the roof as possible, in latitude. This will minimize the wind load on the panels.
- The system is designed for 30-40mm thick panels.
- Our system offers long, up to 160cm installation distance between the roof brackets horizontally. Each aluminum profile needs to be fixed on at least 2 roof brackets.
- With the special calculator from Moisolar installer can calculate how many components will the installation require. Calculator can be found by scanning the QR code or on our webpage www.moisolar.com/fi/fixture-calculator



Nordic Slope fixture calculator



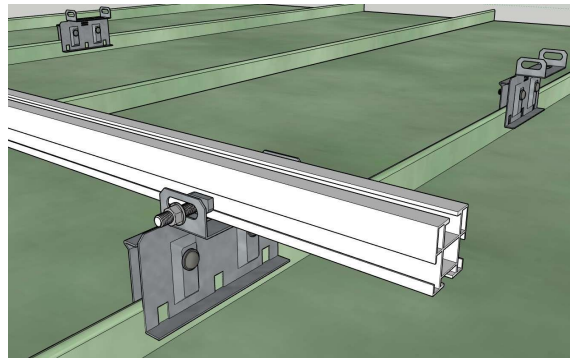
Lock seamed metal roofs

Nordic Slope roof brackets RB01 and RB11 are ready solutions for the lock seamed roofs. The set includes tightening bolts and nuts.

The counter plate shall be installed on the seam side.

The counter plate height can be adjusted in 3 positions. For machine-seam roof type the highest position is most suitable. For lock-seamed roof type the counter plate should be installed lower.

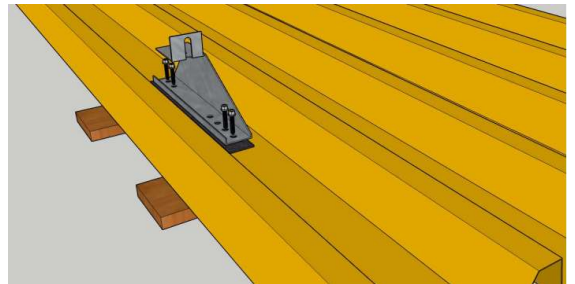
Once the counterplate is set in place, they are tightened to the bracket with included bolts and nuts. Tightening is done until the counterplate is firmly set against the bracket body, however the bracket body or the counterplate should not be bending.



Felt roofs and metal profile roofs

Nordic Slope roof brackets RB02 and its new version RB12 are designed for felt roofs and metal profile roofs.

When installing on metal profile roofs, the bracket should be placed on the roof timber. Brackets are equipped with ready glued gasket strip.

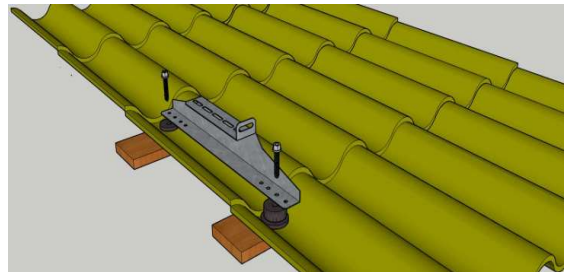


Tile-shape metal profile roofs

Nordic Slope roof brackets RB03 and its new version RB13 are designed for tile-shaped metal profile roofs.

The installation requires rubber gaskets RS01 and RS02. Gaskets have different height to provide possibility for adjustments in accordance with roof profile shape.

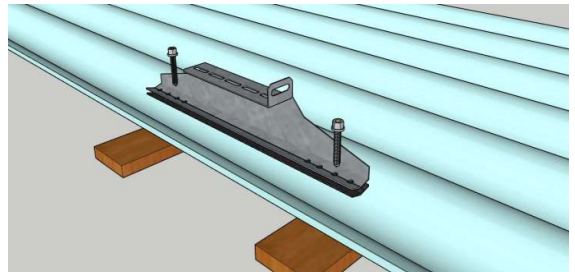
Brackets should be installed on top of the roof timber with special HVAC screw. Roof timber spacing should be 300-400mm. Roof timber should be in good condition.



Wave-shaped metal profile roof

Nordic Slope roof brackets RB04 and its new version RB14 are designed for wave-shaped metal profile roof.

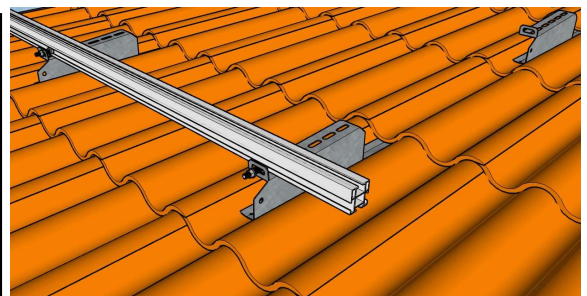
Brackets should be installed on top of the roof timber with special HVAC screw. Roof timber spacing should be 300-400mm. Roof timber should be in good condition. Brackets are equipped with ready glued gasket strip.



Tile roofs Wave-shaped tile

Nordic Slope tile-roof brackets RB05 and its new version RB15 are installed between the tiles, by fixing the brackets directly on the roof timber with HVAC screws.

For heavy snow load locations the horizontal distance between the brackets should be reduced.



Front support for the tile roof bracket

For windy locations it is recommended to support the tile-roof brackets with additional front support RB06.

RB06 is installed directly on the roof timber, just as RB05/RB15 and connected to roof brackets lower part.

When there is strong wind, the front support will prevent the panels from moving up.

