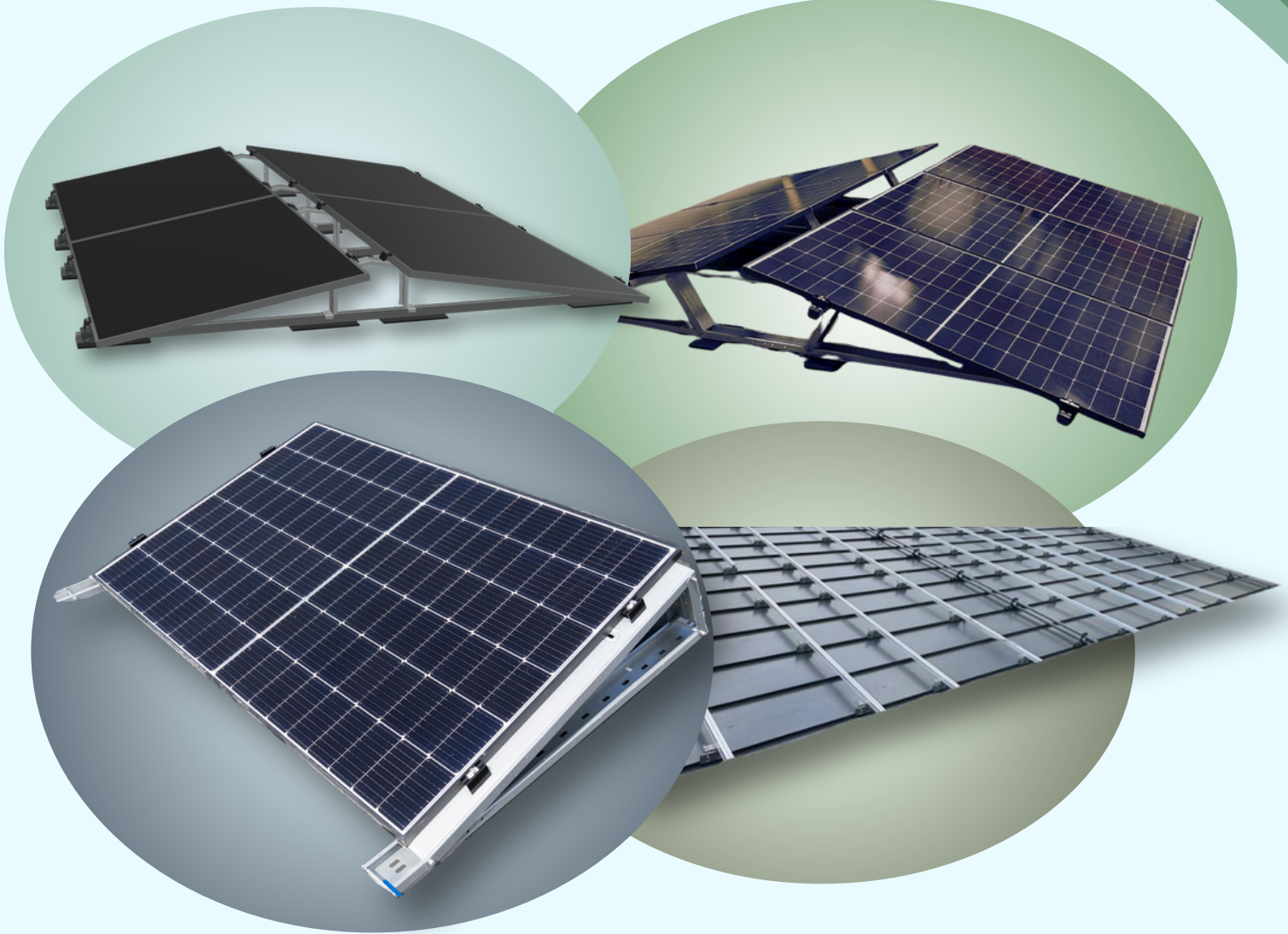


Moisolar®



Discover ALL Product Series

Our Mounting Solutions

Mounting Systems for Flat and Slope Roofs

Quick & Easy to Install | 35 Years of Material Warranty

ALL PRODUCT SERIES

Mounting Solutions for Flat & Slope Roofs

Moisolar

Moisolar Oy specializes in offering the widest range of solar panel mounting systems, compatible with most roof structures and designed to withstand the challenging Nordic climate.

Our products are designed to be easy to install and simple to use. In the development of the mounting systems, particular attention has been paid to ensuring the long service life of the solar panel system, which is crucial to the profitability of solar energy investments. For example, minimizing the effects of wind through the aerodynamics of the mounting frame significantly reduces the stresses transferred to the panel, the installation mechanics, and ultimately the roof.



EXCEPTIONAL DURABILITY

Engineered to withstand extreme weather conditions, backed by precise wind and snow load calculations.



FAST & EFFICIENT INSTALLATION

Optimized mounting methods ensure a quick, seamless, and high-quality installation process.



SITE-SPECIFIC ENGINEERING

Each system is tailored to meet local building regulations and environmental conditions.



WIND TUNNEL TESTED

Wind tunnel honed aerodynamics enable a precise and safe design based on accurate information.

Ensuring the highest quality of our solar mounting systems is paramount at Moisolar. We have rigorously tested our complete range—including roof brackets, profiles, clamps, and the bolt and nut set—through the globally recognized testing laboratory, SGS. These comprehensive lab tests confirm that the Moisolar solar mounting system meets the highest standards of quality.

SGS



+358 45 787 53966



info@moisolar.com



moisolar.com

ALL PRODUCT SERIES

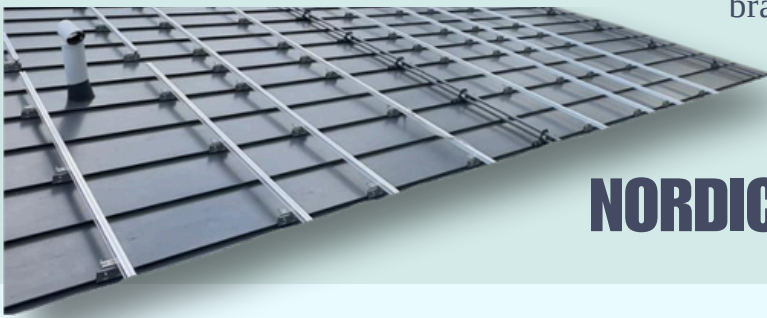
Mounting Solutions for Flat & Slope Roofs

Moisolar

High-quality, well-engineered fastening systems are essential for ensuring the long-term performance and reliability of PV-installations. Each fastening solution is selected based on local environmental conditions and the specific requirements of the solar modules.

Slope Rooftops

Nordic Slope is a durable, high-quality mounting system for sloped roofs. Designed for Nordic conditions, it includes a range of roof brackets tailored for all common roof types.



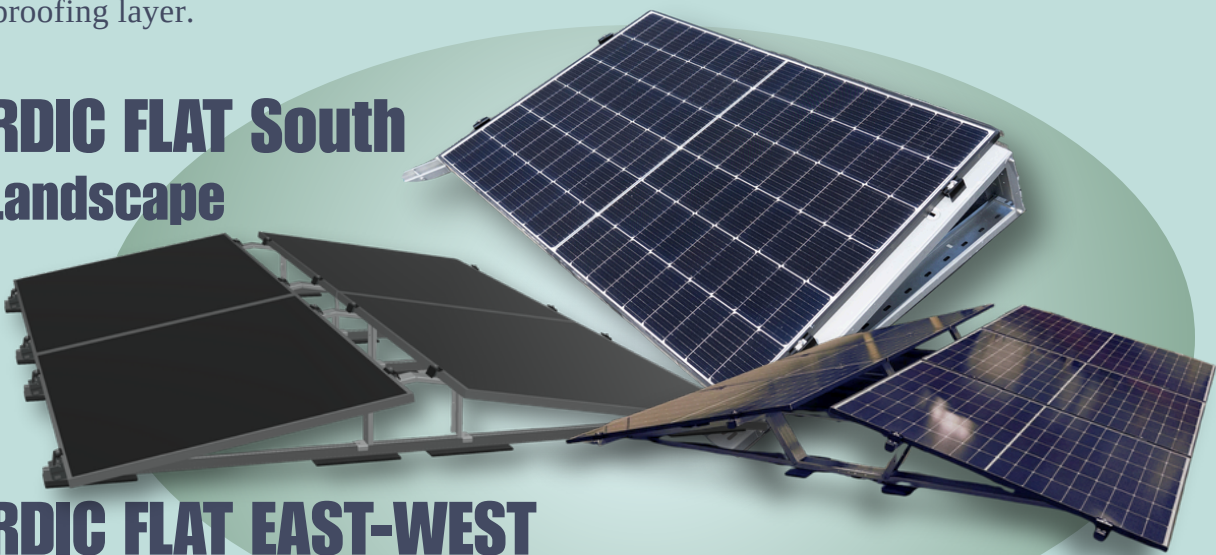
NORDIC SLOPE

To withstand snow loads, panels are supported in accordance with local snow load specifications and the module manufacturer's guidelines, ensuring durability and consistent performance year-round.

Flat Rooftops

Moisolar offers a versatile range of mounting solutions for flat roofs, built to perform in demanding Nordic conditions. Our flat roof portfolio includes three main series, each optimized for different roof types, installation methods, and project requirements. On flat roofs, both roof protection and panel longevity depend heavily on minimizing wind load impacts through superior aerodynamic design. Reduced wind resistance means less stress on the modules, the roof structure, and the waterproofing layer.

NORDIC FLAT South 15 Landscape



NORDIC FLAT EAST-WEST Landscape 10

NORDIC FLAT EAST-WEST Portrait 15



+358 45 787 53966



info@moisolar.com



moisolar.com

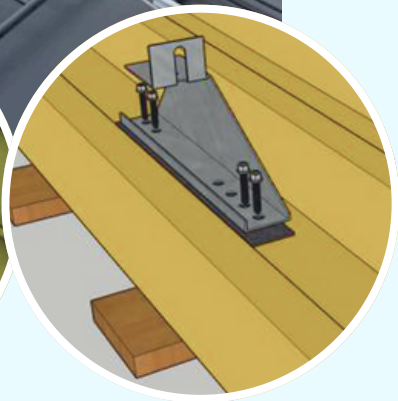
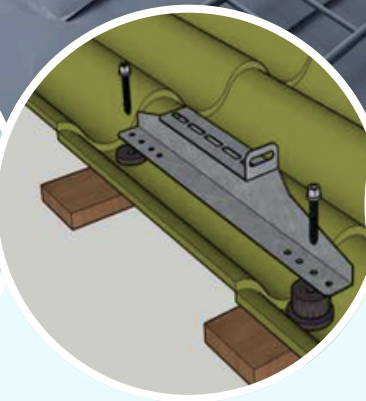
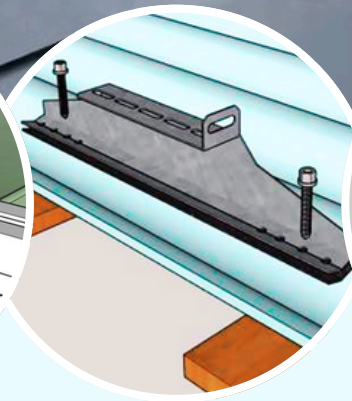
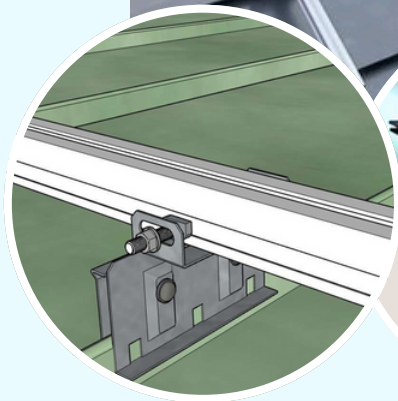
Nordic Slope

Our products are meticulously designed to accommodate a variety of slope roofs, including lock-seamed metal, felt, metal profile, tile-shaped metal profile, wave-shaped metal profile, and traditional tile roofs.

Customized mounts for less common roof types are also available.

- With the special calculator from Moisolar, installers can determine how many components are needed for the installation. The calculator can be found on our website:

www.moisolar.com/en/fixture-calculator



Nordic Flat South 15 Landscape

Each frame is designed with a fixed 15° tilt angle and includes standard mounting positions for solar panel brackets, ensuring quick and secure installation. The mounting frames come either with butyl tape or 15 mm rubber mat under their base. This protects the roof surface and supports efficient water drainage. South-oriented system offers the best production by production/kwp view.

Best solution to projects, where roof area efficiency doesn't need to be taken much into consideration and where wind forces are not at highest level.

Main methods:

1.) Bitumen Welding

- Excellent solution for locations with high wind loads, where ballast amount will increase too much.

2.) Ballast Weights

- Bitumen welding and ballast weights can also be used together for enhanced stability.

3.) Cold Adhesion with Rubber Feet

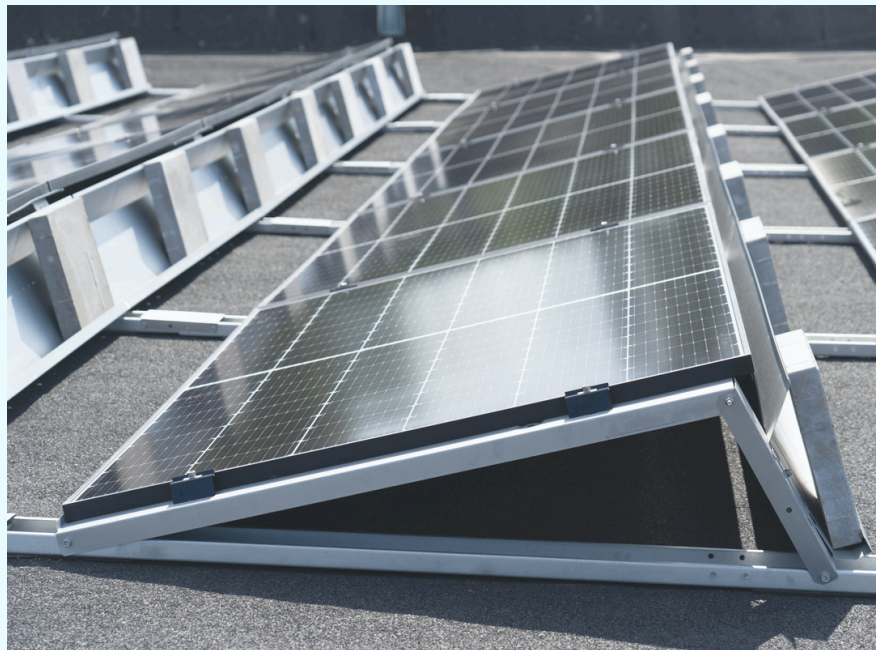
- Reduces slippage risk while the flexible structure absorbs forces from wind and thermal expansion

4.) Cold Adhesion with Adhesive Steel Plate

- Strong roof attachment without damaging the waterproof membrane

Additional methods:

- *Snow Support* - Essential for long-term panel durability
- *Tilting Part* - Solution for uneven roof surfaces



Nordic Flat EAST-WEST Portrait 15

The east–west vertical mounting rack is the gentlest option for both the panel and the roofing material. The best snow support, combined with excellent aerodynamics, ensures long service life even in challenging conditions. The higher structure improves performance in snowy areas, and the lower edge height can also be safely increased. The mounting triangles come with a 15 mm rubber mat underneath the base, which protects the roof surface and supports effective drainage. Designed for snowy regions, ensuring the module's long service life.

Why choose Portrait 15?

- Best support for the panel – no ambiguities in snow load warranty terms
- Easy to install
- In suitable locations, up to 90% weight reduction compared to south-facing mounts – thanks to well-designed aerodynamics



Methods:

Nordic Flat EAST-WEST Portrait 15 can be mounted on flat roofs using different methods (*same as for Nordic Flat South 15 landscape*), chosen based on site-specific requirements. Wind and weight calculations, along with the characteristics of the roofing material, determine the optimal solution. Often, the most reliable and long-lasting option is a combination of bitumen welding and ballast weights, ensuring both durability and safety.



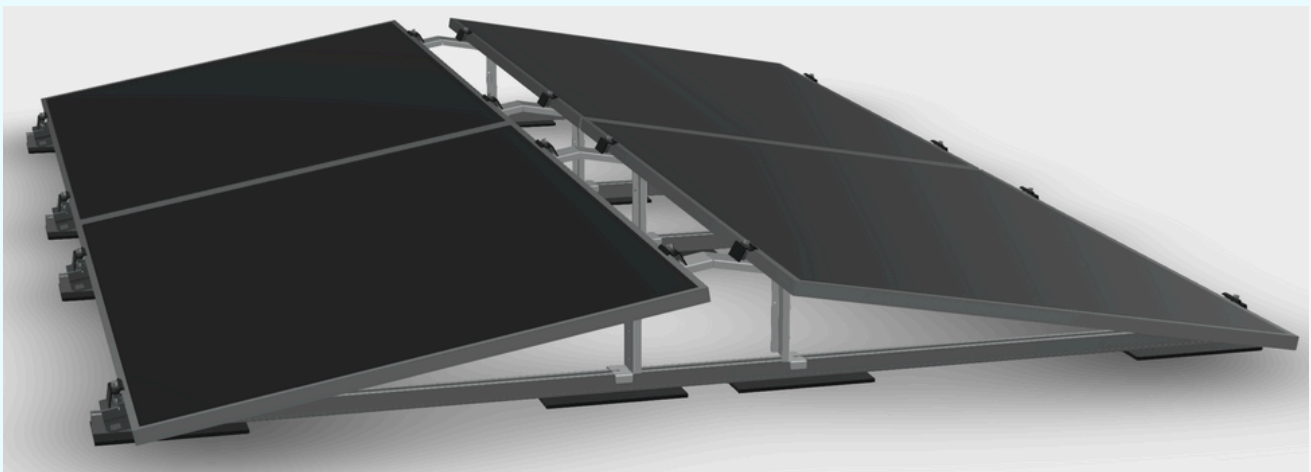
Nordic Flat EAST-WEST Landscape 10

Each frame is designed with a fixed 10° tilt angle and includes standard mounting positions for solar panel brackets, ensuring quick and secure installation. Offers the best aerodynamics, resulting in less amount of needed ballast. Can be installed by short or long side - method chosen by snow loads and module requirements.

Why choose Landscape 10?

- More balanced daily production
- Fewer shadows - next row doesn't cause shadow risk as on some south oriented system.
- With good design, yields at the level of a south-facing installation, but more balanced

- Best solution to large projects
 - where wind pressure is high
 - roof space is limited
 - large panels are used



Methods:

Nordic Flat EAST-WEST Landscape 10 can be mounted on flat roofs using different methods (*same as for Nordic Flat South 15 Landscape*), chosen based on site-specific requirements. Wind and weight calculations, along with the characteristics of the roofing material, determine the optimal solution. Often, the most reliable and long-lasting option is a combination of bitumen welding and ballast weights, ensuring both durability and safety.

