

# Moisolar<sup>®</sup>

## User Manual



## **NORDIC SLOPE**

### Slope Roof Mounting System

Designed for Nordic Conditions

**Quick & Easy to Install | 35 Years of Material Warranty | Durable**



+358 45 787 53966



info@moisolar.com

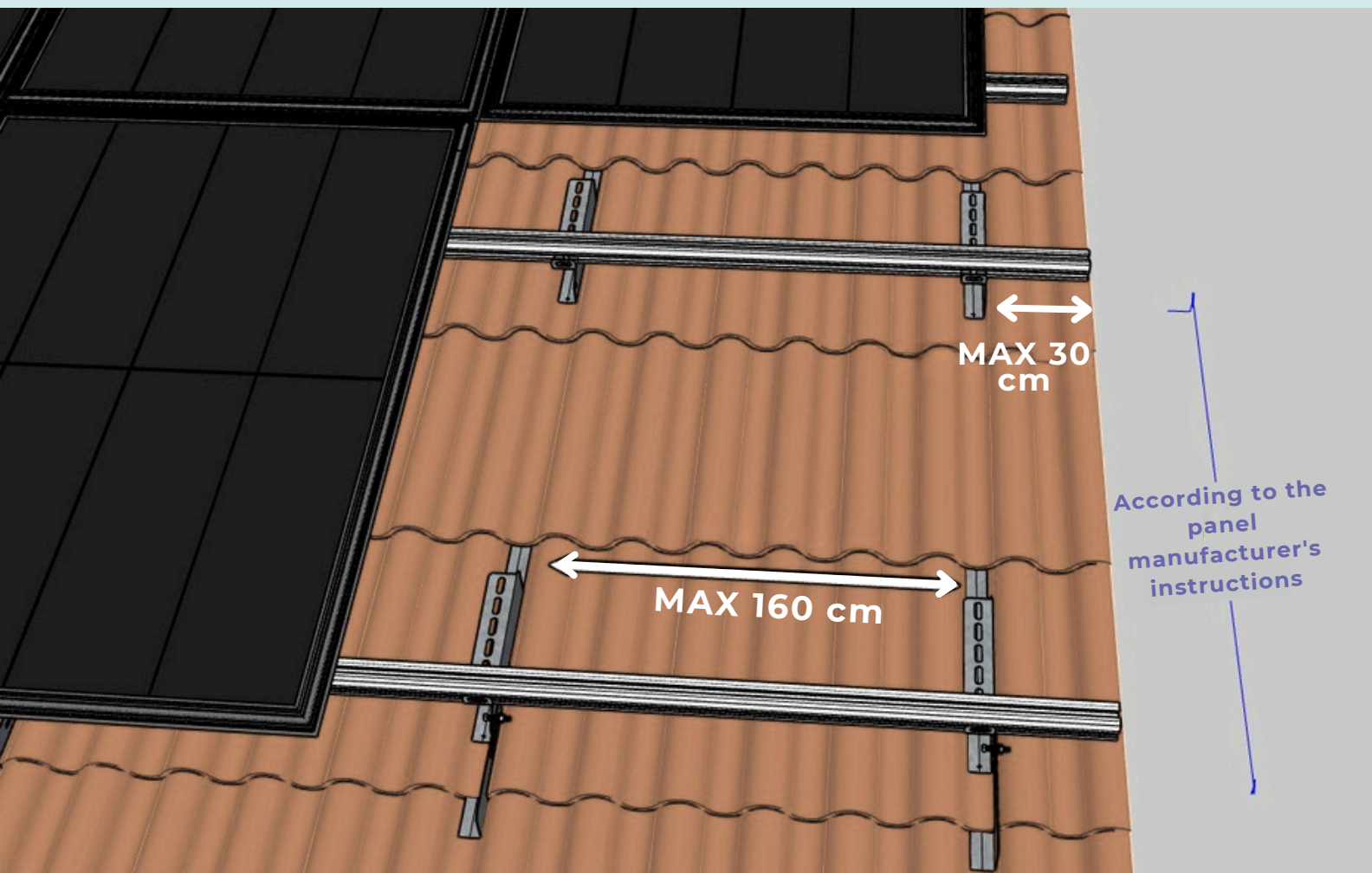


moisolar.com



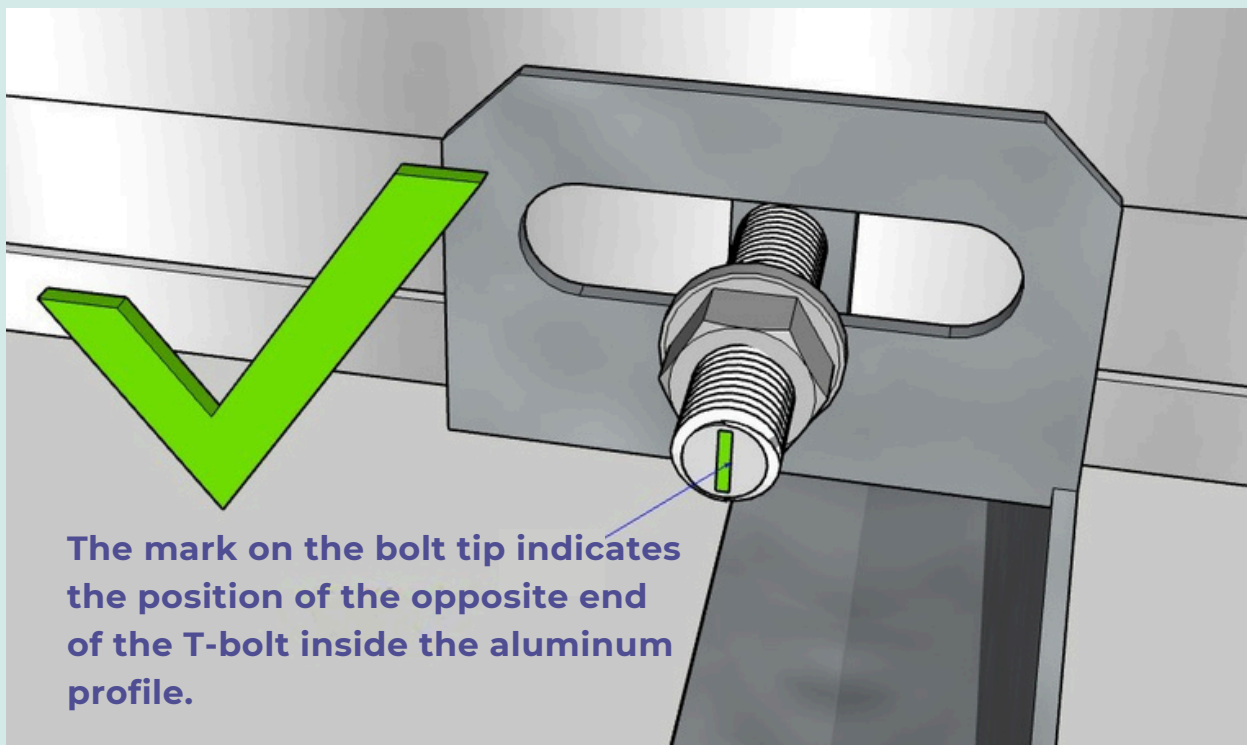
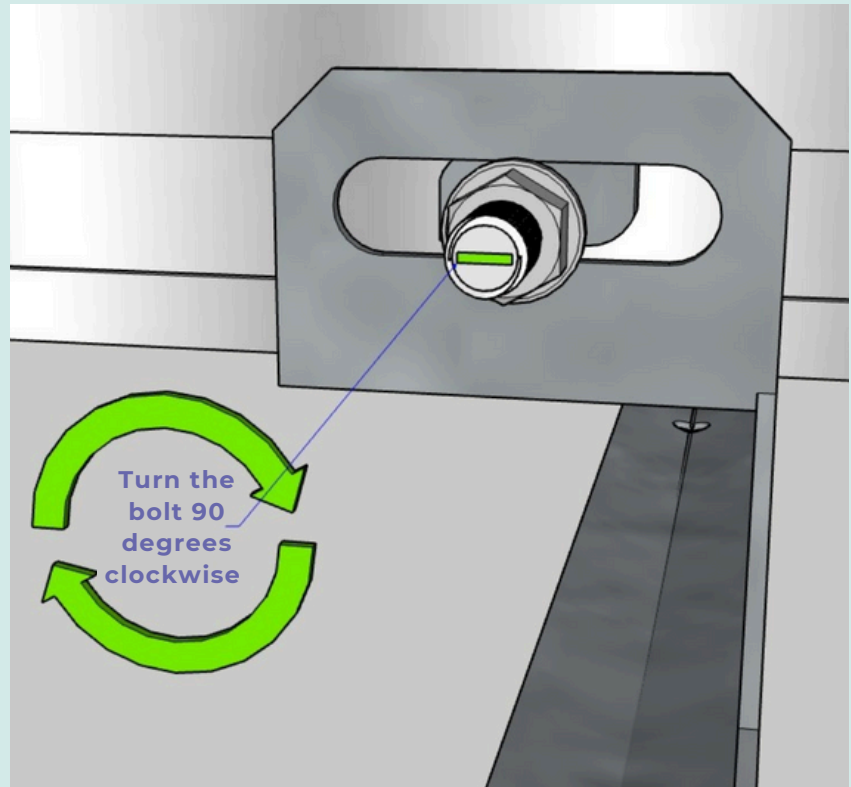
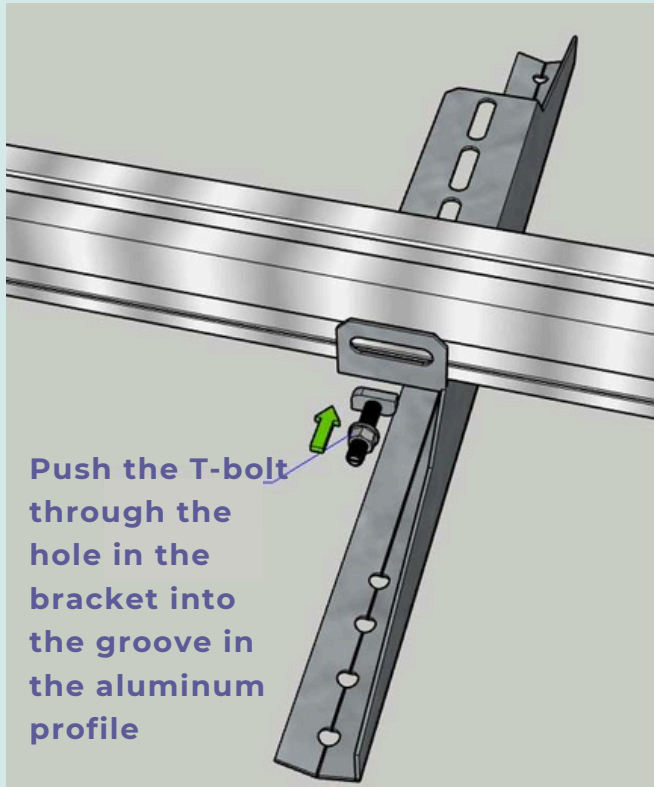
## Installation Instructions

- Recommended installation spot on the roof is close to the roof ridge, this will minimize the risk of snow piling up on the panels. The upper edge of the panels should be installed below the roof ridge level.
- Panels should be installed as close to the center of the roof (horizontally) as possible. This will help minimize wind load on the panels.
- The system is designed for 30-40 mm thick panels.
- Our system allows long horizontal installation spans — up to 160 cm between roof brackets (*not the case for RB05, RB15 & RB17*). Each aluminum profile must be fixed to at least two roof brackets.
- With the special calculator from Moisolar, installers can determine how many components are needed for the installation. The calculator can be found on our website: [www.moisolar.com/en/fixture-calculator](http://www.moisolar.com/en/fixture-calculator)



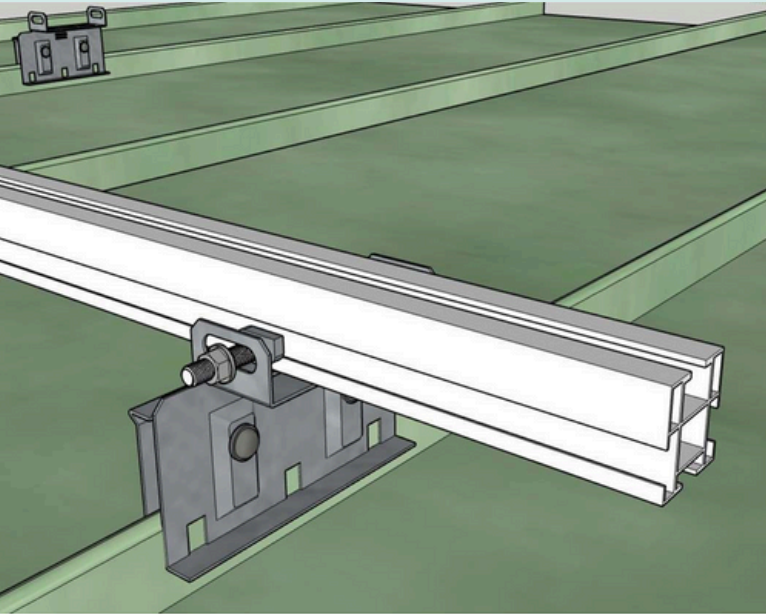


### Installation Instructions





## Lock seamed metal roofs



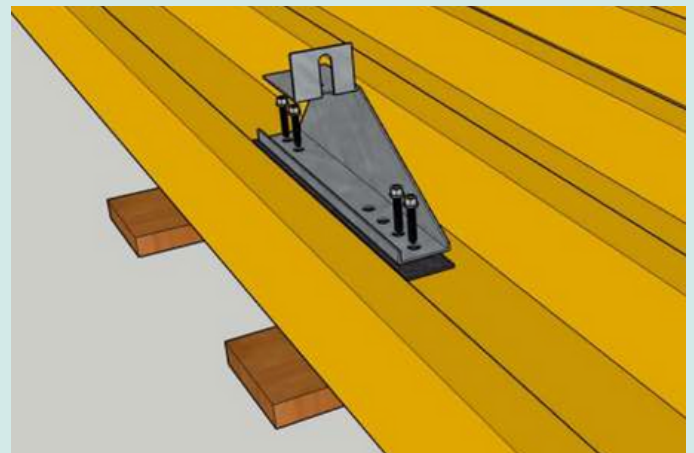
Nordic Slope roof brackets **RB01** and **RB11** are ready solutions for the lock seamed roofs. The set includes tightening bolts and nuts.

The counter plate shall be installed on the seam side. The counter plate height can be adjusted in 3 positions. For machine-seam roof type the highest position is most suitable. For lock-seamed roof type the counter plate should be installed in a lower position.

Once the counterplate is set in place, they are tightened to the bracket with included bolts and nuts. Tightening is done until the counterplate is firmly set against the bracket body, however the bracket body or the counterplate should not be bending.

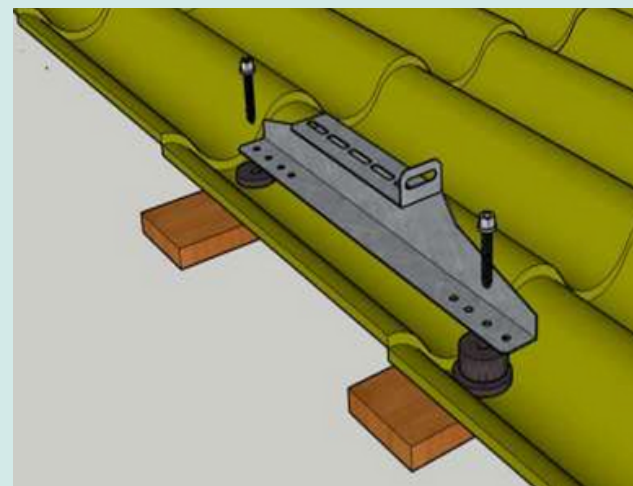
## Felt roofs and metal profile roofs

Nordic Slope roof brackets **RB02** and its new version **RB12** are designed for felt roofs and metal profile roofs. When installing on metal profile roofs, the bracket should be placed on the roof batten. Brackets are equipped with ready glued gasket strip.



## Tile-shape metal profile roofs

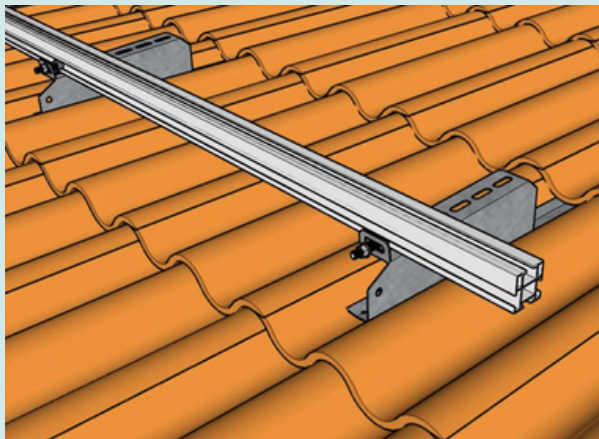
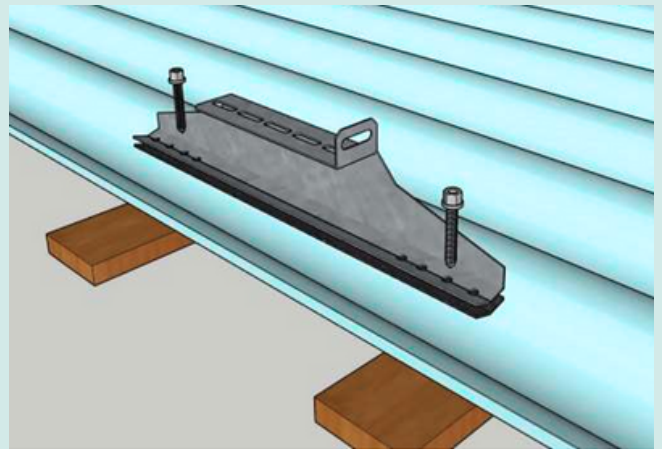
Nordic Slope roof brackets **RB03** and its new version **RB13** are designed for tile-shaped metal profile roofs. The installation requires rubber gaskets **RS01** and **RS02**. Gaskets have different height to provide possibility for adjustments in accordance with roof profile shape. Brackets should be installed on top of the roof batten with special HVAC screw. Roof batten spacing should be 300-400 mm. Roof batten must be in good condition.





## Wave-shaped metal profile roof

Nordic Slope roof bracket **RB04** and its new version **RB14** are designed for wave-shaped metal profile roofs. Brackets should be installed on top of the roof timber with a special HVAC screw. Roof batten spacing should be 300-400 mm. The batten must be in good condition. Brackets are equipped with a pre-attached (ready-glued) gasket strip.



## Tile roofs, *Wave-shaped tile*

Nordic Slope tile-roof bracket **RB05** and its new version **RB15** are installed between the tiles, by fixing the brackets directly on the roof batten with HVAC screw. For locations with heavy snow load the horizontal distance between the brackets should be reduced.

## Front support for the tile roof bracket

For windy locations it is recommended to support the tile-roof brackets with additional front support part **RB06**. RB06 is installed directly on the roof batten, just as RB05/RB15 and connected to roof brackets lower part. When there is strong wind, the front support will prevent the panels from moving up.

